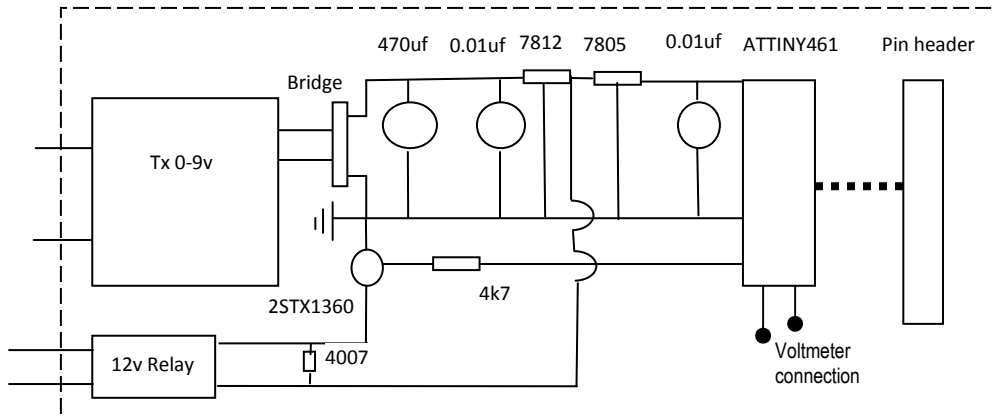


# HT Delay and bias monitor voltmeter

## Board layout



TINY461	HEADER
6 - gnd	1
5 -Vcc	2
nc	3 5v – 10k pot
1 - RS	4
2 – RW	5
3 – EN	6
20 – lcd 0	7
19 – lcd 1	8
18 – lcd 2	9
17 – lcd 3	10
14 – lcd 4	11
13 – lcd 5	12
12 – lcd 6	13
11 – lcd 7	14
Nc	15 5v – 180R
Nc	16 Cct - gnd
4 – HT switch	nc
16 – 6 agnd	nc
15 – 5 avcc	nc

HEADER	LCD
1	1 – gnd
2	2 – Vdd 5v
3 5v – 10k pot	3 – V relative
4	4 – RS
5	5 – RW
6	6 – EN
7	7 – D0
8	8 – D1
9	9 – D2
10	10 – D3
11	11 – D4
12	12 – D5
13	13 – D6
14	14 – D7
15 5v – 180R	15 – light A
16 Cct - gnd	16 – light K

Tiny461

Pin header from above

LCD Pinout

